

legend elite series features

the most precise motion control

(able to create higher-quality engraving at the fastest speeds)

What is Accupoint™ Motion Control?

If you've ever watched an Epilog Laser system engraving at 100% speed, you quickly realize there is some pretty sophisticated engineering involved in moving the system so rapidly and firing the laser at such high speeds.

The Accupoint™ motion-control system in the Legend Elite Series is the most precise motion system ever developed in the industry. This system was designed to do one thing exceptionally well - create detailed graphic images by firing the laser in the right position at the right time, every time. By designing the system to use a combination of linear encoders and servo motors, Epilog's laser systems are able to move in increments as small as an incredible 0.0008" (0.02 mm). That means you get a higher quality engraving while running the system at dramatically faster speeds.

Servo Motors

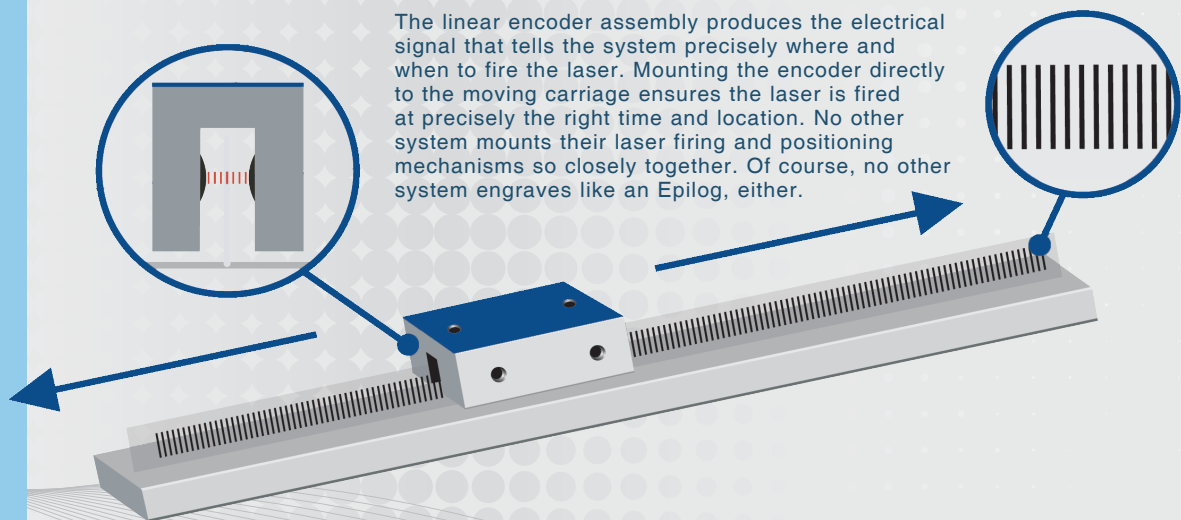
Known for their incredibly fast acceleration and deceleration speeds, servo motors provide the extremely smooth engraving style you only see with Epilog's laser systems. You won't see a sluggish pause at the start and end of each engraving line that you can sometimes see with older technology that incorporates stepper motors. This translates into engraving speeds up to 30% faster than systems featuring stepper motors.

Linear Encoders for the Best Location and Timing

We mount a linear encoder directly to the x-axis of the laser's motion system, allowing us to track precise laser firing location within 0.0008" (0.02 mm). This provides unmatched accuracy, repeatability and precision. Run a highly-detailed engraving hundreds of times and the laser will continue to fire in the exact same spot each and every time.

How this Benefits You:

- There is no need to slow down the system when running highly-detailed images. Our motion control system can produce the same image quality at 100% speed as it can at 50% speed.
- If you're able to engrave 100 highly-detailed plaques 30% faster, that translates into more profits, in less time, for you.



16371 Table Mountain Parkway
Golden, CO 80403

+1 303.277.1188
888.437.4564

www.epiloglaser.com
sales@epiloglaser.com



MADE IN USA

05/2011